

Vertical multi-stage pumps

-  Clean water
-  Domestic use
-  Civil use
-  Industrial use



PERFORMANCE RANGE

- Flow rate up to **180 l/min** (10.8 m³/h)
- Head up to **112 m**

APPLICATION LIMITS

- Manometric suction lift up to **7 m**
- Liquid temperature between **-10 °C** and **+40 °C**
- Ambient temperature up to **+40 °C**
- Max. working pressure **11 bar**
- Continuous service **S1**

CONSTRUCTION AND SAFETY STANDARDS

EN 60335-1 EN 60034-1
IEC 60335-1 IEC 60034-1
CEI 61-150 CEI 2-3



EU REGULATION N. 547/2012

CERTIFICATIONS

Company with management system certified DNV
ISO 9001: QUALITY
ISO 14001: ENVIRONMENT AND SAFETY



INSTALLATION AND USE

Suitable for use with clean water and with liquids that are not chemically aggressive towards the materials from which the pump is made. The high performance and adaptability to a wide range of applications make them an ideal choice in domestic, civil and industrial applications, in particular for the distribution of water in combination with pressure tanks and for boosting pressure in the network. The pump should be installed in an enclosed environment or sheltered from inclement weather.

PATENTS - TRADE MARKS - MODELS

- Patent Pending n. PCT/IB2014/063126

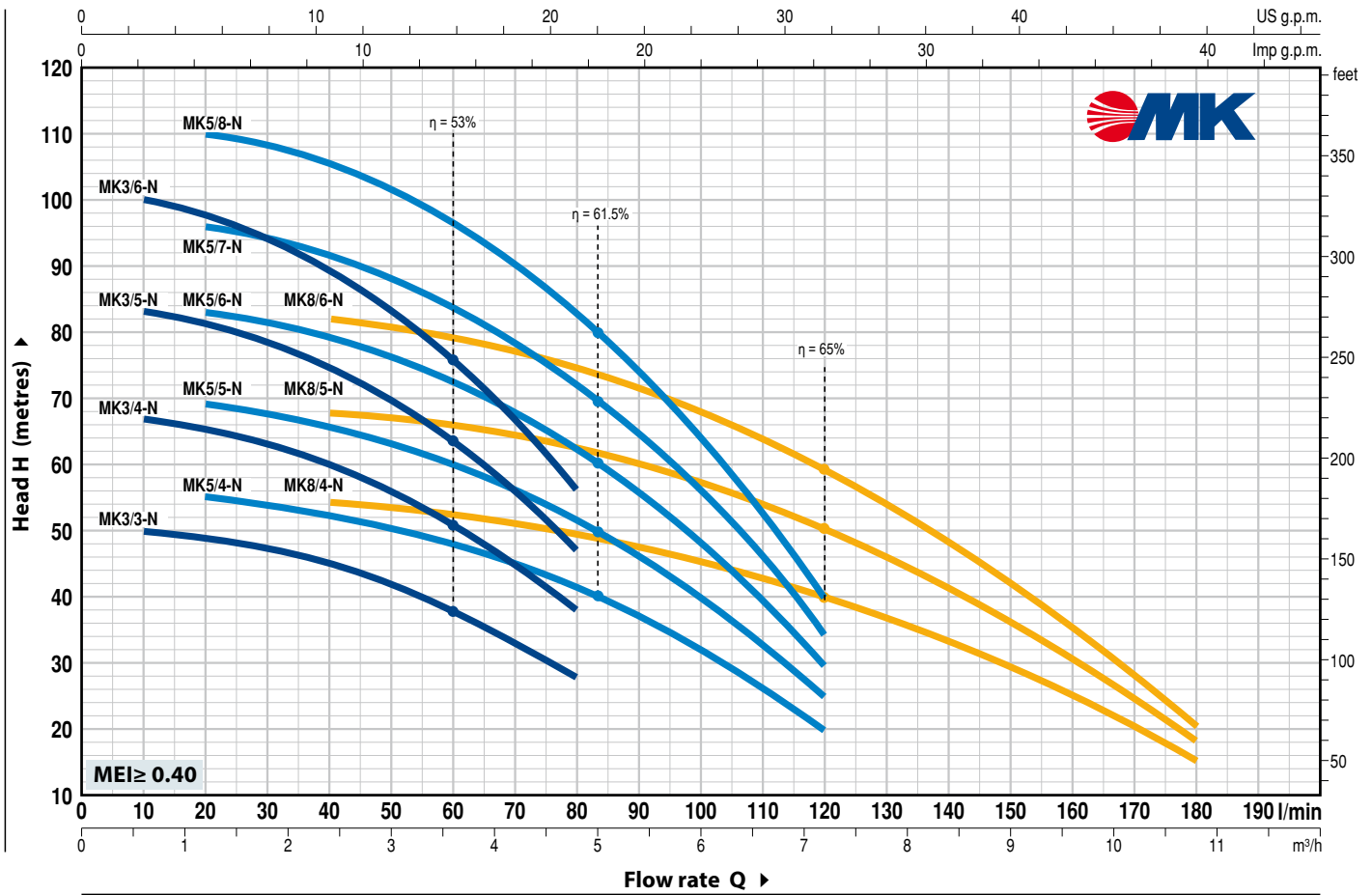
OPTIONS AVAILABLE ON REQUEST

- Other voltages or 60 Hz frequency
- Supply of threaded flanges ISO 228/1 (1" - 1¼" - 1½") suction and delivery ports



CHARACTERISTIC CURVES AND PERFORMANCE DATA

50 Hz n= 2900 rpm HS= 0 m



MODEL		POWER (P ₂)		▲	Q	H metres												
Single-phase	Three-phase	kW	HP			m ³ /h	0	0.6	1.2	2.4	3.6	4.8	6.0	7.2	8.4	9.6	10.8	
					l/min	0	10	20	40	60	80	100	120	140	160	180		
MK _m 3/3-N	MK 3/3-N	0.75	1	IE2	H metres	52	50	49	45	38	28							
MK _m 3/4-N	MK 3/4-N	1.1	1.5			69.5	67	65.5	60	50.5	38							
MK _m 3/5-N	MK 3/5-N	1.1	1.5			87	83	82	75	63.5	47							
MK _m 3/6-N	MK 3/6-N	1.5	2	IE3		104	100	98	90	76	56							
MK _m 5/4-N	MK 5/4-N	1.1	1.5	IE2		56	-	55	52.5	48	41.5	32	20					
MK _m 5/5-N	MK 5/5-N	1.1	1.5			70	-	69	66	60	51.5	40	25					
MK _m 5/6-N	MK 5/6-N	1.5	2	IE3		84	-	83	79	72	62	48	30					
MK _m 5/7-N	MK 5/7-N	1.8	2.5			98	-	96	92.5	84	72.5	56	34					
MK _m 5/8-N	MK 5/8-N	2.2	3			112	-	110	105.5	96	82.5	64	40					
MK _m 8/4-N	MK 8/4-N	1.5	2	IE3		56	-	-	54	52	50	46	39	31.5	24	15		
MK _m 8/5-N	MK 8/5-N	1.8	2.5			70	-	-	67.5	66	63	58	50	40	30	18		
MK _m 8/6-N	MK 8/6-N	2.2	3			86	-	-	82	78	74	68	58	46.5	35	20		

Q = Flow rate H = Total manometric head HS = Suction height

Tolerance of characteristic curves in compliance with EN ISO 9906 Grade 3B.

▲ Performance class of the three-phase motor (IEC-60034-30)

POS. COMPONENT CONSTRUCTION CHARACTERISTICS

1	SUCTION BODY	Cast iron with an Epoxy Electro Coating complete with threaded suction port ISO 228/1				
2	EXTERNAL SLEEVE	Stainless steel AISI 304				
3	DELIVERY BODY	Cast iron with an Epoxy Electro Coating complete with threaded delivery port ISO 228/1				
4	IMPELLERS AND DIFFUSERS	Noryl FE1520PW				
5	DIAPHRAGMS	Stainless steel AISI 304				
6	MOTOR SHAFT	Stainless steel EN 10088-3 - 1.4104				
7	MECHANICAL SEAL	<i>Seal Model</i>	<i>Shaft Diameter</i>	<i>Stationary ring</i>	<i>Rotational ring</i>	<i>Elastomer</i>
		FN-18	Ø 18 mm	Graphite	Ceramic	NBR
8	BEARINGS	6304 ZZ / 6204 ZZ				

9 CAPACITOR

<i>Pump</i>	<i>Capacitance</i>	
<i>Single-phase</i>	<i>(230 V or 240 V)</i>	<i>(110 V)</i>
MKm 3/3-N	25 µF - 450 VL	60 µF - 250 VL
MKm 3/4-N	25 µF - 450 VL	60 µF - 250 VL
MKm 3/5-N	25 µF - 450 VL	60 µF - 250 VL
MKm 3/6-N	31.5 µF - 450 VL	60 µF - 250 VL
MKm 5/4-N	25 µF - 450 VL	60 µF - 250 VL
MKm 5/5-N	25 µF - 450 VL	60 µF - 250 VL
MKm 5/6-N	31.5 µF - 450 VL	60 µF - 250 VL
MKm 5/7-N	45 µF - 450 VL	-
MKm 5/8-N	50 µF - 450 VL	-
MKm 8/4-N	31.5 µF - 450 VL	60 µF - 250 VL
MKm 8/5-N	45 µF - 450 VL	-
MKm 8/6-N	50 µF - 450 VL	-

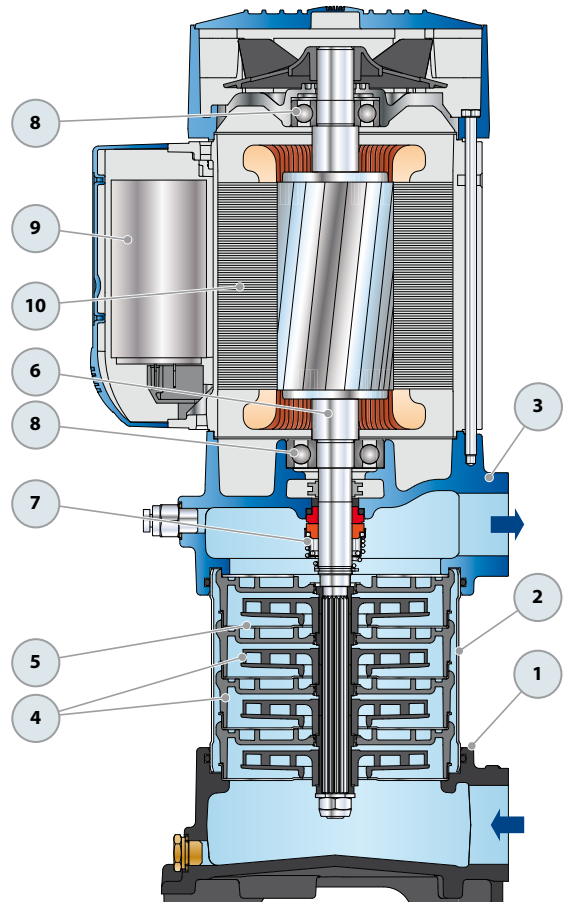
10 ELECTRIC MOTOR

MKm: single-phase 230 V - 50 Hz
with thermal overload protector incorporated into the winding up to P2=1.5 kW

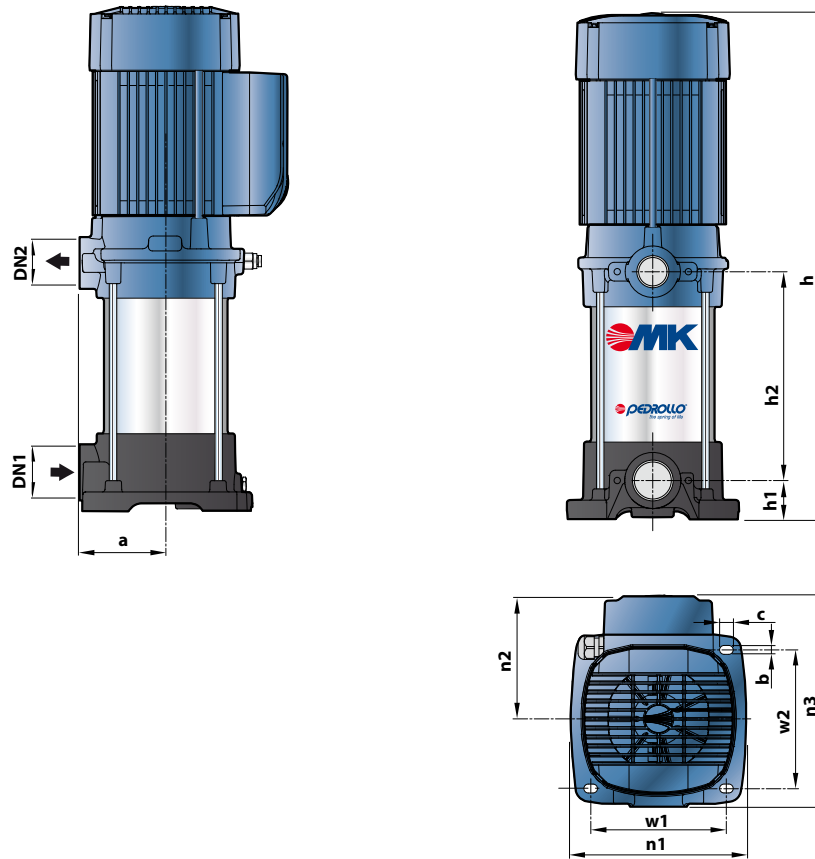
MK: three-phase 230/400 V - 50 Hz

➡ **The three-phase pumps are fitted with high performance motors up to P2=1.1 kW in class IE2 and from P2=1.5 kW in class IE3 (IEC 60034-30)**

- Insulation: class F
- Protection: IP X4



DIMENSIONS AND WEIGHT



MODEL		PORTS		N. STAGES	DIMENSIONS mm										kg	
Single-phase	Three-phase	DN1	DN2		a	h	h1	h2	w1	w2	n1	n2	n3	b	c	1~
MKm 3/3-N	MK 3/3-N	1 1/4"	1"	3	93	450	132,5	143	146	185	130	223	9,5	14,5	19.1	19.2
MKm 3/4-N	MK 3/4-N			4		159,5	19.6								19.6	
MKm 3/5-N	MK 3/5-N			5		186,5	20.0								20.1	
MKm 3/6-N	MK 3/6-N			6		213,5	22.9								21.8	
MKm 5/4-N	MK 5/4-N			4		159,5	19.5								19.6	
MKm 5/5-N	MK 5/5-N			5		186,5	19.9								20.0	
MKm 5/6-N	MK 5/6-N			6		213,5	22.8								21.7	
MKm 5/7-N	MK 5/7-N			7		240,5	24.3								23.1	
MKm 5/8-N	MK 5/8-N			8		267,5	24.8								23.6	
MKm 8/4-N	MK 8/4-N			4		159,5	22.0								20.9	
MKm 8/5-N	MK 8/5-N			5		186,5	23.6								22.4	
MKm 8/6-N	MK 8/6-N			6		213,5	24.0								22.8	

ABSORPTION

MODEL	VOLTAGE		
	230 V	240 V	110 V
MKm 3/3-N	6.0 A	5.8 A	12.0 A
MKm 3/4-N	6.5 A	6.2 A	13.0 A
MKm 3/5-N	7.0 A	6.7 A	14.0 A
MKm 3/6-N	9.0 A	8.6 A	18.0 A
MKm 5/4-N	6.5 A	6.2 A	13.0 A
MKm 5/5-N	8.5 A	8.1 A	17.0 A
MKm 5/6-N	9.5 A	9.1 A	19.0 A
MKm 5/7-N	10.5 A	10.1 A	21.0 A
MKm 5/8-N	11.5 A	11.0 A	23.0 A
MKm 8/4-N	8.5 A	8.1 A	17.0 A
MKm 8/5-N	9.5 A	9.1 A	19.0 A
MKm 8/6-N	11.5 A	11.0 A	23.0 A

MODEL	VOLTAGE					
	230 V	400 V	690 V	240 V	415 V	720 V
MK 3/3-N	4.2 A	2.4 A	1.4 A	4.0 A	2.3 A	1.3 A
MK 3/4-N	4.8 A	2.8 A	1.6 A	4.6 A	2.7 A	1.5 A
MK 3/5-N	5.2 A	3.0 A	1.7 A	5.0 A	2.9 A	1.6 A
MK 3/6-N	5.5 A	3.2 A	1.8 A	5.3 A	3.1 A	1.7 A
MK 5/4-N	4.8 A	2.8 A	1.6 A	4.6 A	2.7 A	1.5 A
MK 5/5-N	5.2 A	3.0 A	1.7 A	5.0 A	2.9 A	1.6 A
MK 5/6-N	6.1 A	3.5 A	2.0 A	5.8 A	3.4 A	1.9 A
MK 5/7-N	7.8 A	4.5 A	2.6 A	7.5 A	4.3 A	2.5 A
MK 5/8-N	8.7 A	5.0 A	2.9 A	8.3 A	4.8 A	2.8 A
MK 8/4-N	5.2 A	3.0 A	1.7 A	5.0 A	2.9 A	1.6 A
MK 8/5-N	6.1 A	3.5 A	2.0 A	5.8 A	3.4 A	1.9 A
MK 8/6-N	8.7 A	5.0 A	2.9 A	8.3 A	4.8 A	2.8 A